



One Simple Way

Solar Racking Datasheet

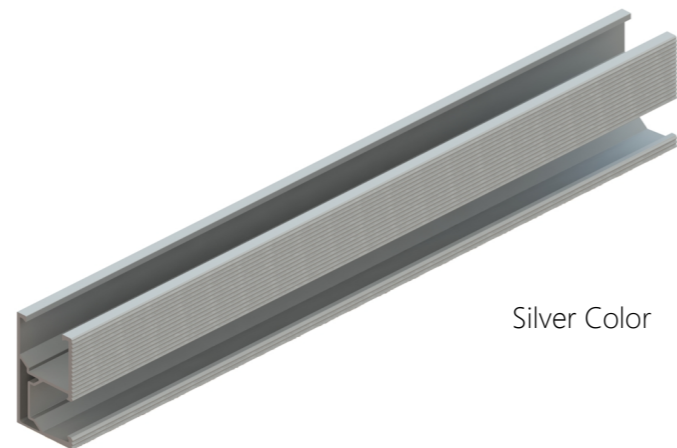
- 📍 Perth Office: 33 Tacoma Cct, Canning Vale WA 6155 (08) 6323 5860
- 📍 Adelaide Office: 54-56 Diagonal Rd, Pooraka SA 5095 (08) 8260 6856
- 📍 Brisbane Office: 55 Rai Drive, Crestmead, QLD 4132 (07) 3387 1888
- 📍 Melbourne Office: 23 Jamieson Way, Dandenong South, VIC 3175 (03) 8510 1175
- 📍 Sydney Office: 52 Quarry Road Erskine Park NSW 2759 (02) 9832 7036

Antai 4.7m Rail

ATL-DR-JOINER

Product CODE	ATL-DR-499-L4700 (Silver) / ATL-DR-499-L4700 (Black)
Product Name	Antai Rail Type 4700mm (TYN-499-L4700)
MATERIAL	AL6005-T6
SURFACE TREATMENT	Mill Finish Silver or Black Anodized 10um
Length	4700mm
Color	Silver & Black Colors Available

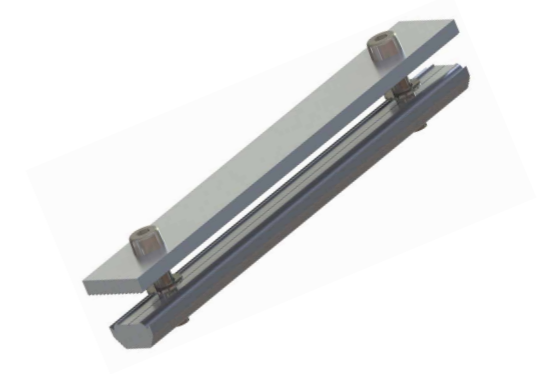
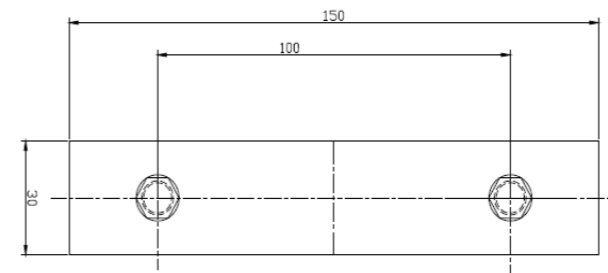
Product CODE	ATL-DR-JOINER
Product Name	Antai T Universal Rail Splice
MATERIAL	AL6005-T6 & SS304 Bolt
SURFACE TREATMENT	ANODIZING 10um
Package	200pcs/carton, 530*330*330mm
Weight	0.15KG/PC
Length	150mm
Contents	2x M8 bolt (25mm) & earthing washers



Silver Color

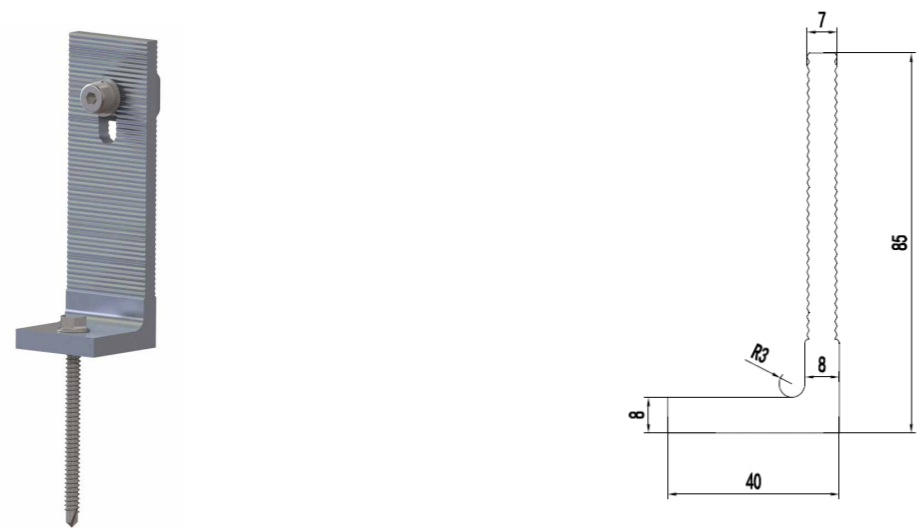


Black Color



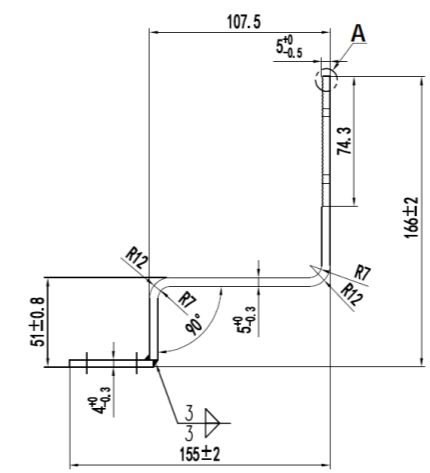
ATL-IK-TIN

Product CODE	ATL-IK-TIN
Product Name	Antai Tin L Feet
MATERIAL	AL6005-T6 & SS304 Bolt& SUS 410 Screw
SURFACE TREATMENT	ANODIZING 10um, B8 Coating Screw
Package	240pcs/carton, 530*330*330mm
Weight	0.11KG/PC
Contents	1x M8 bolt (25mm) with T nut, 1x ST6.3 (80mm) screw& ruber pad



ATL-IK-TILE

Product CODE	ATL-IK-TILE
Product Name	Antai Tile Roof Brackets
MATERIAL	SS304 & SUS410
SURFACE TREATMENT	Stainless Steel, B8 coating screw
Package	40pcs/carton, 530*330*330mm
Weight	0.5KG/PC
Contents	1x M8 bolt (25mm) bolt with T nut, 3x ST6.3 (80mm) screws

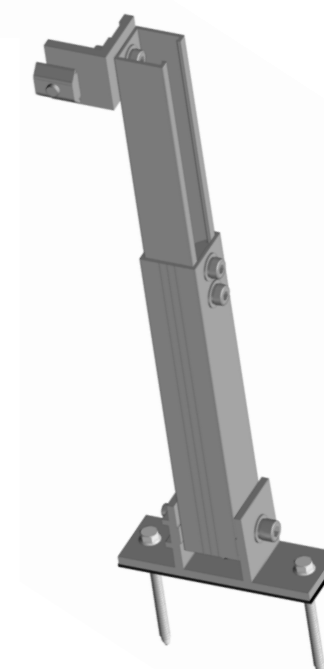
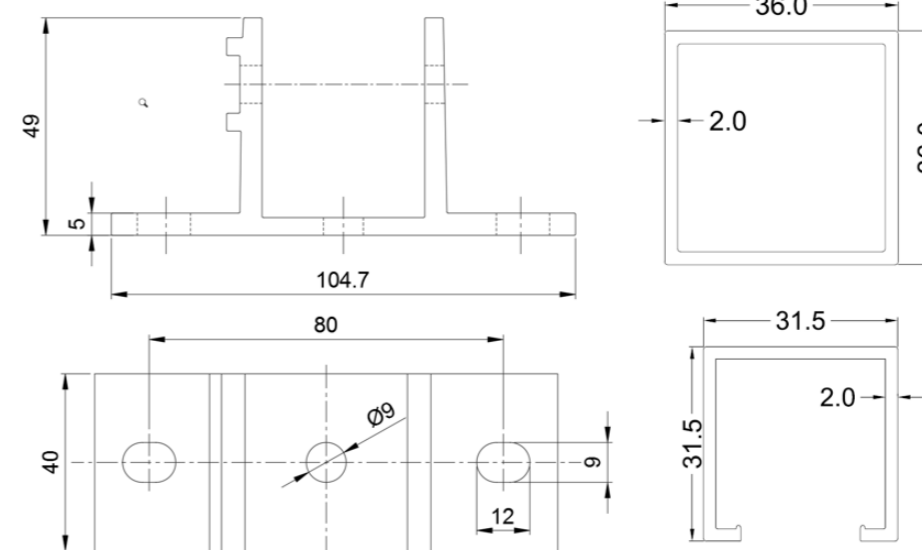
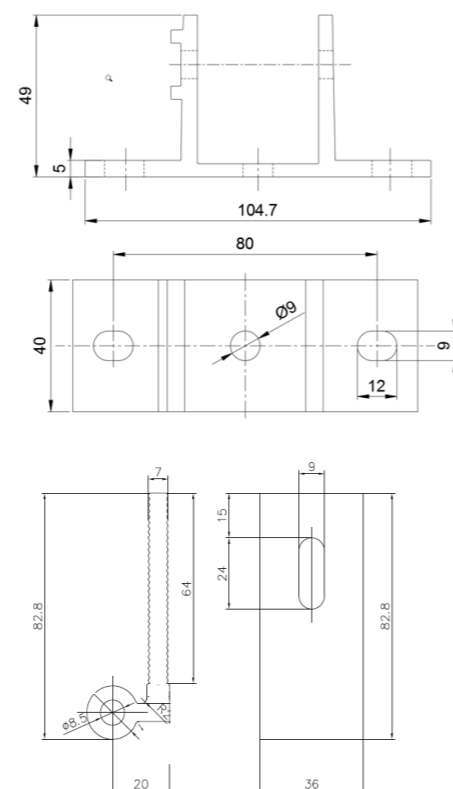
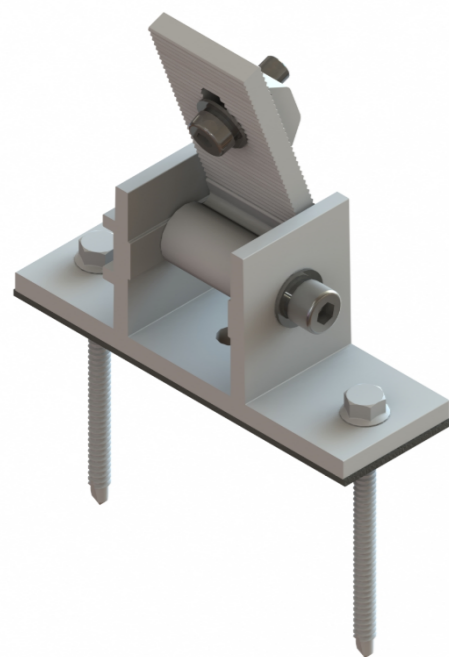


ATL-AD-FL

ATL-AD-RL-15/30

Product CODE	ATL-AD-FL
Product Name	Antai Adjustable Front Leg
MATERIAL	AL6005-T6 & SS304 Bolt& SUS 410 Screw
SURFACE TREATMENT	ANODIZING 10um, B8 Coating Screw
Package	10pcs front leg+ 10pcs rear leg/carton, 530*330*330mm
Weight	0.3KG/PC
Contents	1x M8 bolt (25mm) with T nut, 2x ST6.3 (80mm) screws, 1x rubber pad

Product CODE	ATL-AD-RL-15/30
Product Name	Antai Adjustable Rear leg 15/30
MATERIAL	AL6005-T6 & SS304 Bolt& SUS 410 Screw
SURFACE TREATMENT	ANODIZING 10um, B8 Coating Screw
Package	10pcs front leg+ 10pcs rear leg/carton, 530*330*330mm
Weight	0.85KG/PC
Degree	15-30 degree
Contents	1x M8 bolt (25mm) bolt with T nut, 2x ST6.3 (80mm) screws, 1x rubber pad

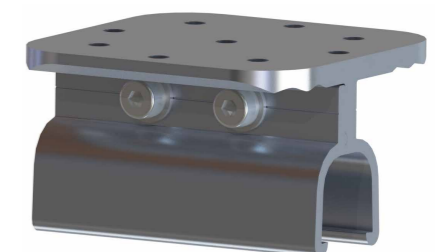
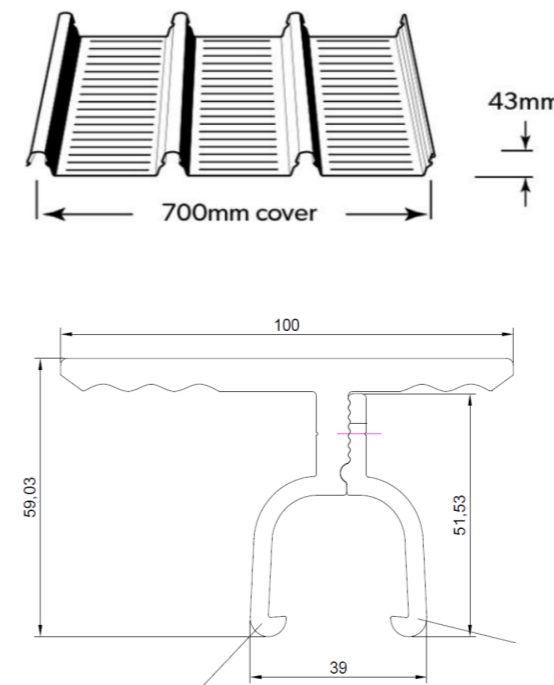
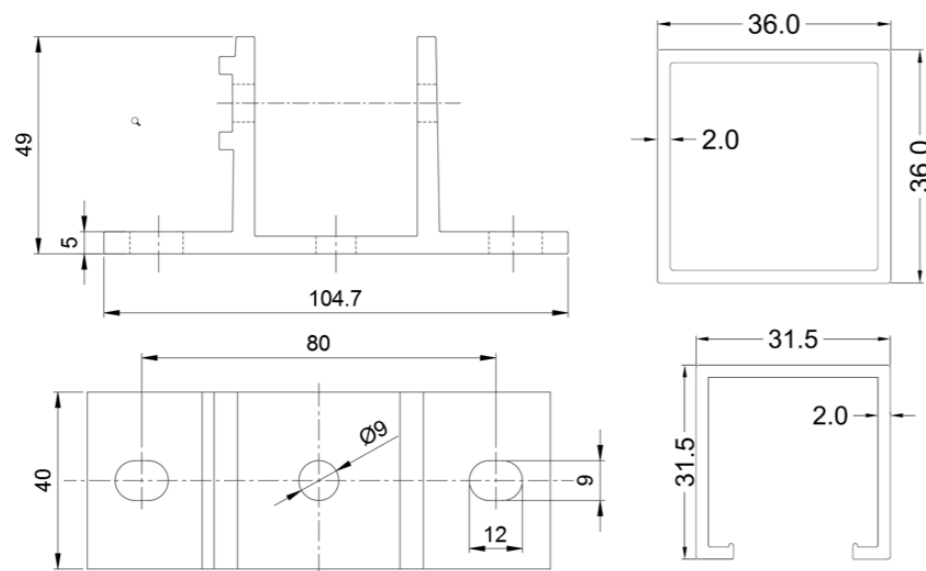
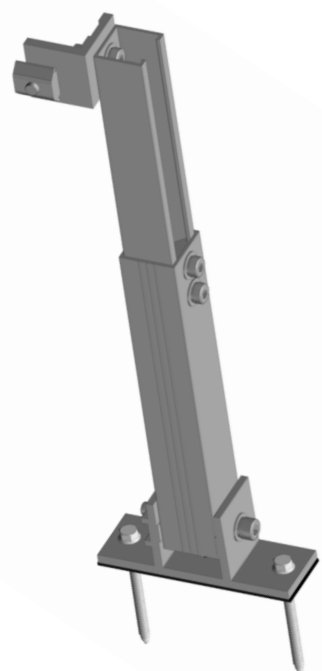


ATL-AD-RL-10/15

ATL-IK-700

Product CODE	ATL-AD-RL-10/15
Product Name	Antai Adjustable Rear leg 10/15
MATERIAL	AL6005-T6 & SS304 Bolt& SUS 410 Screw
SURFACE TREATMENT	ANODIZING 10um, B8 Coating Screw
Package	10pcs front leg+ 10pcs rear leg/carton, 530*330*330mm
Weight	0.6KG/PC
Degree	10-15 degree
Contents	1x M8 bolt (25mm) with T nut, 2x ST6.3 (80mm) screws, 1x rubber pad

Product CODE	ATL-IK-700
Product Name	Antai Cliplock 700 Clamp 100mm
MATERIAL	AL6005-T6 & SS304 Bolt
SURFACE TREATMENT	ANODIZING 10um
Package	60pcs/carton, 530*330*330mm
Weight	0.38KG/PC
Length	100mm
Contents	2x M8 bolt (16mm) on the side, 2x M8 bolt (25mm) on the top, 1x EPDM rubber pad

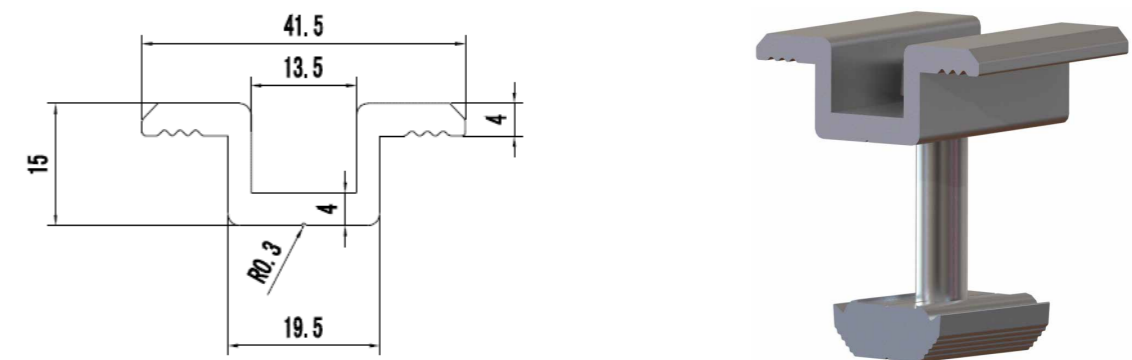
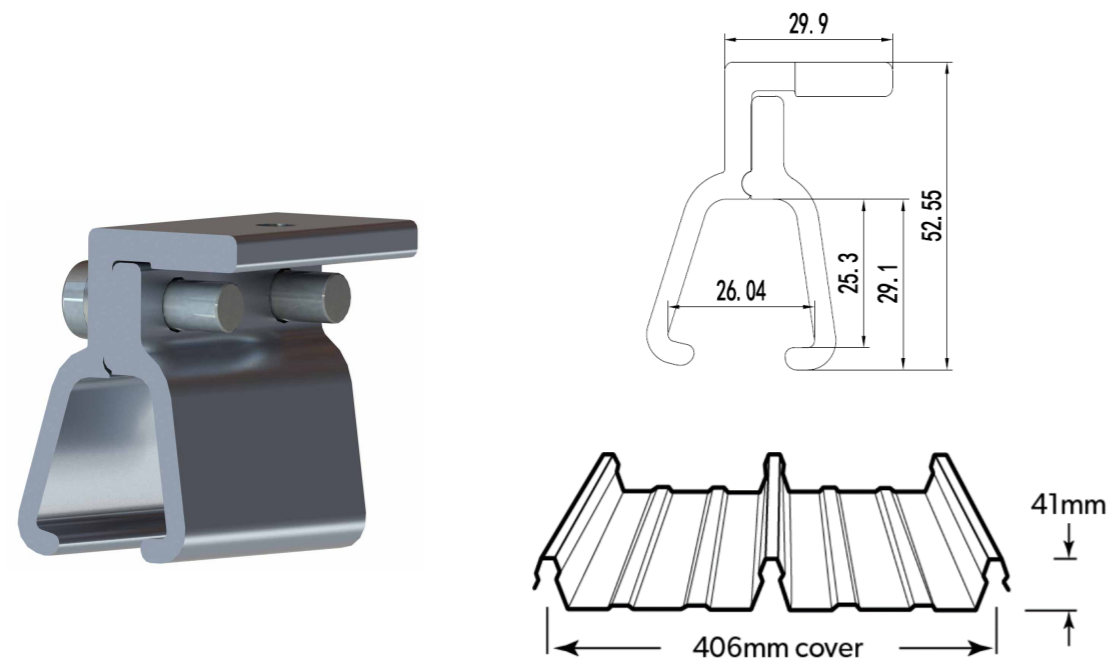


ATL-IK-406

ATL-IC-35/40

Product CODE	ATL-IK-406
Product Name	Antai Cliplock 406 Clamp 50mm
MATERIAL	AL6005-T6 & SS304 Bolt
SURFACE TREATMENT	ANODIZING 10um
Package	200pcs/carton, 530*330*330mm
Weight	0.13KG/PC
Length	50mm
Contents	2x M8 bolt (16mm) on the side, 1x M8 bolt (25mm) on the top, 1x EPDM rubber pad

Product CODE	ATL-IC-35/40
Product Name	Antai Mid Clamp 35/40mm
MATERIAL	AL6005-T6 & SS304 Bolt
SURFACE TREATMENT	ANODIZING 10um
Package	400pcs/carton, 530*330*330mm
Weight	0.06KG/PC
Contents	M8 bolt (45mm) & T nut



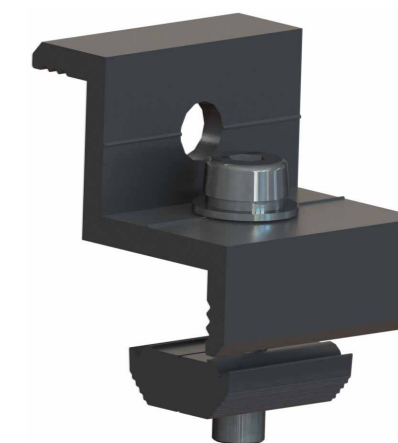
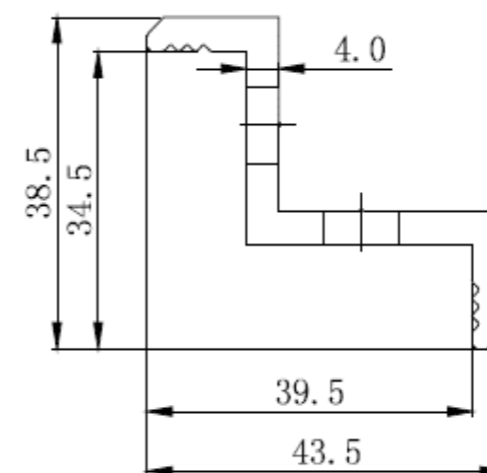
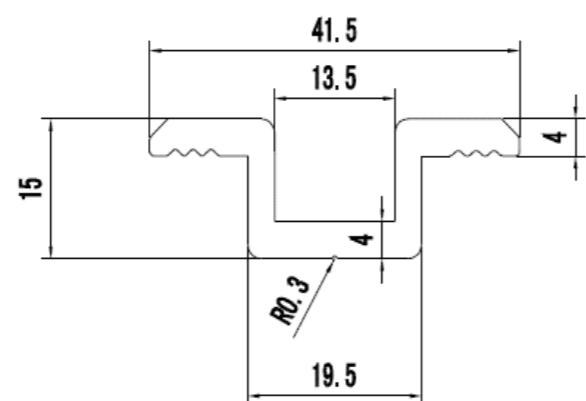
ATL-IC-35/40-B

ATL-EC-35/40-B

Product CODE	ATL-IC-35/40-B
Product Name	Antai Black Mid Clamp 35/40mm
MATERIAL	AL6005-T6 & SS304 Bolt
SURFACE TREATMENT	ANODIZING 10um
Package	400pcs/carton, 530*330*330mm
Weight	0.06KG/PC
Contents	M8 bolt (45mm) & T nut

Product CODE	ATL-EC-35/40-B
Product Name	Antai Black End Clamp 35/40mm
MATERIAL	AL6005-T6 & SS304 Bolt
SURFACE TREATMENT	ANODIZING 10um
Package	400pcs/carton, 530*330*330mm
Weight	0.06KG/PC
Contents	M8 bolt (30mm) & T nut

ATL-TYN-31/32

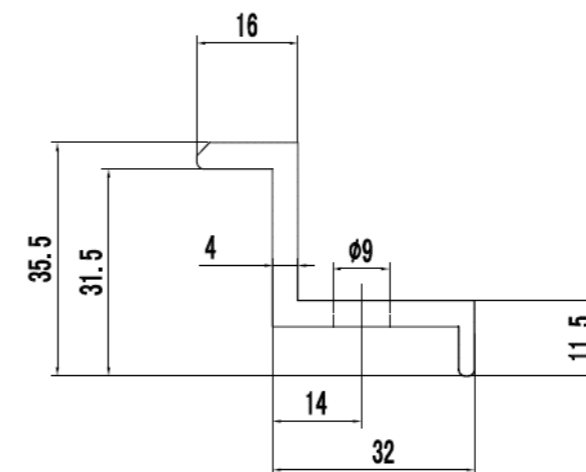
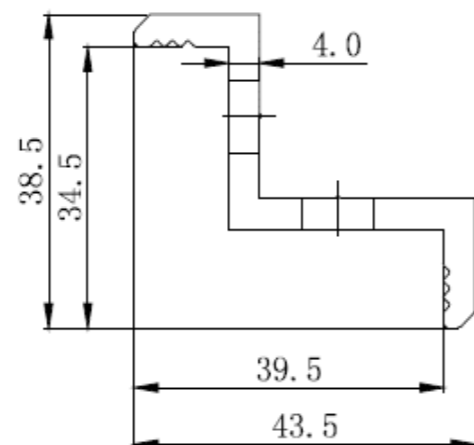
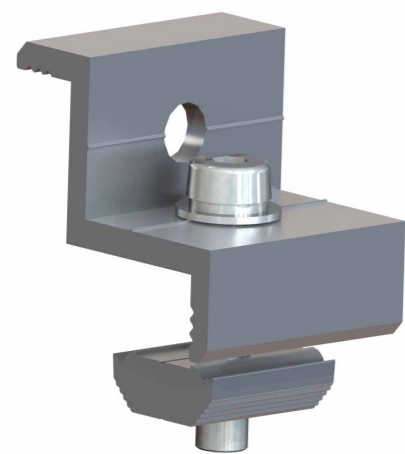


ATL-EC-35/40

ALT-EC-32

Product CODE	ATL-EC-35/40
Product Name	Antai End Clamp 35/40mm
MATERIAL	AL6005-T6 & SS304 Bolt
SURFACE TREATMENT	ANODIZING 10um
Package	400pcs/carton, 530*330*330mm
Weight	0.06KG/PC
Contents	M8 bolt (30mm) & T nut

Product CODE	ALT-EC-32
Product Name	Antai End Clamp 32mm
MATERIAL	AL6005-T6 & SS304 Bolt
SURFACE TREATMENT	ANODIZING 10um
Package	400pcs/carton, 530*330*330mm
Weight	0.06KG/PC
Contents	1x M8 bolt (25mm) with T nut

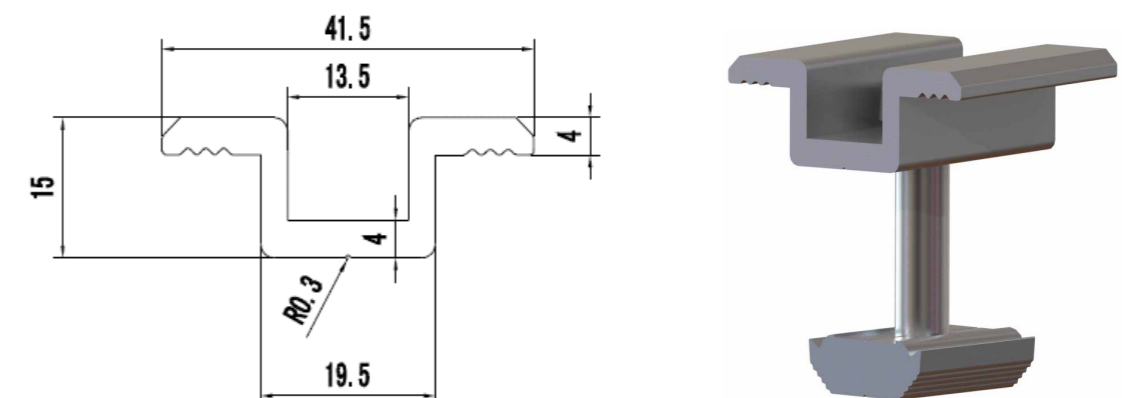
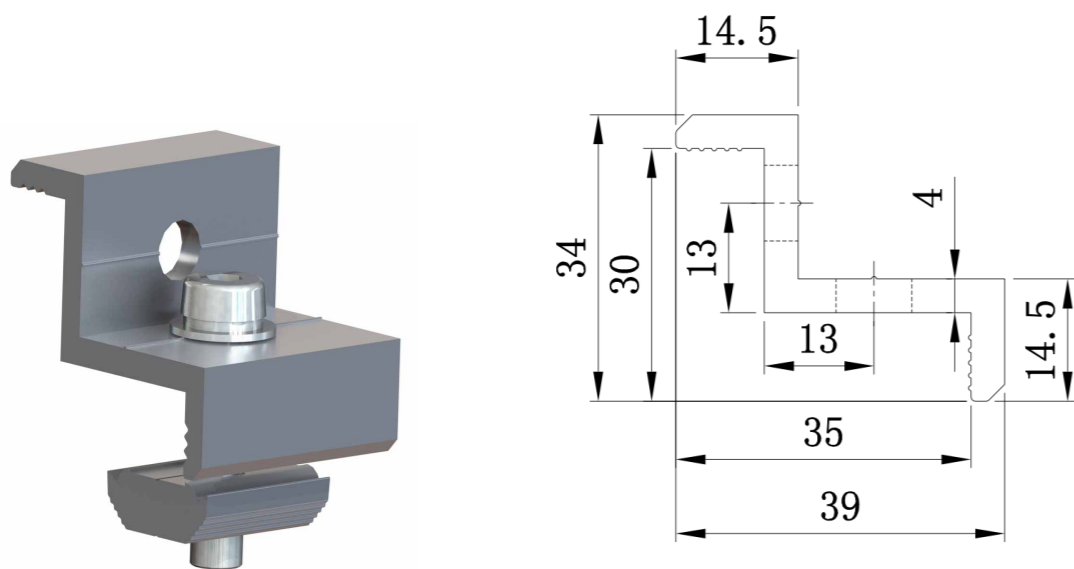


ATL-EC-30/35

ATL-IC-30/35

Product CODE	ATL-EC-30/35
Product Name	Antai End Clamp 30/35mm
MATERIAL	AL6005-T6 & SS304 Bolt
SURFACE TREATMENT	ANODIZING 10um
Package	400pcs/carton, 530*330*330mm
Weight	0.06KG/PC
Contents	M8 bolt (30mm) & T nut

Product CODE	ATL-IC-30/35
Product Name	Antai Mid Clamp 30/35mm
MATERIAL	AL6005-T6 & SS304 Bolt
SURFACE TREATMENT	ANODIZING 10um
Package	400pcs/carton, 530*330*330mm
Weight	0.06KG/PC
Contents	M8 bolt (40mm) & T nut



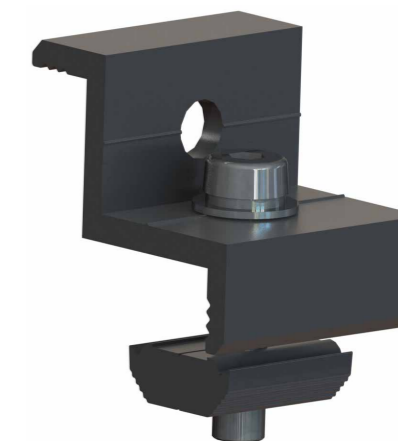
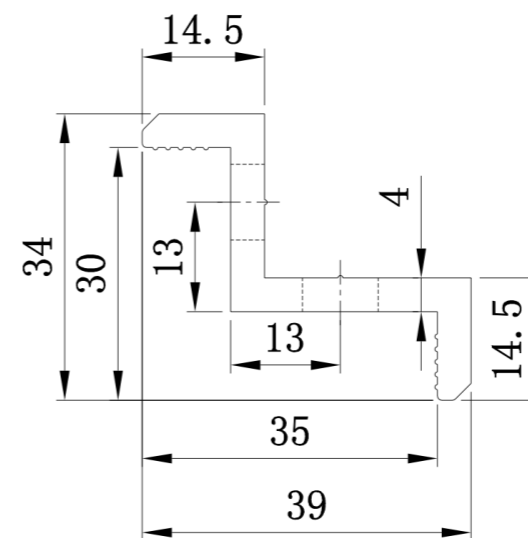
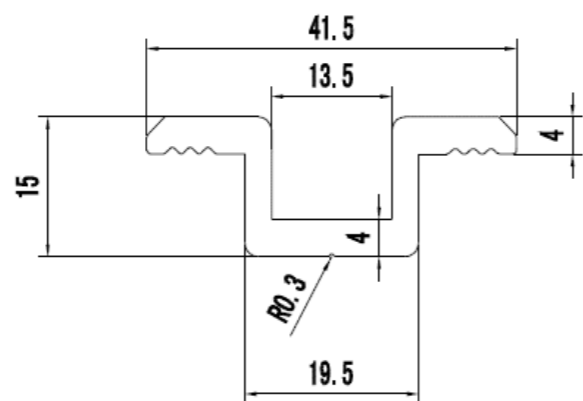
ATL-IC-30/35-B

ATL-EC-30/35-B

Product CODE	ATL-IC-30/35-B
Product Name	BLACK Antai Mid Clamp 30/35mm
MATERIAL	AL6005-T6 & SS304 Bolt
SURFACE TREATMENT	ANODIZING 10um
Package	400pcs/carton, 530*330*330mm
Weight	0.06KG/PC
Contents	M8 bolt (45mm) & T nut

Product CODE	ATL-EC-30/35-B
Product Name	BLACK Antai End Clamp 30/35mm
MATERIAL	AL6005-T6 & SS304 Bolt
SURFACE TREATMENT	ANODIZING 10um
Package	400pcs/carton, 530*330*330mm
Weight	0.06KG/PC
Contents	M8 bolt (30mm) & T nut

ATL-TYN-31/32

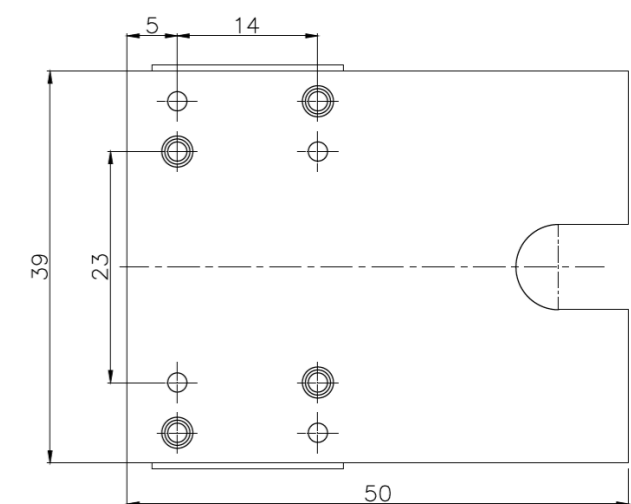
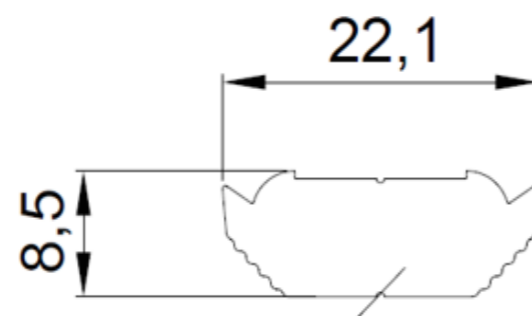
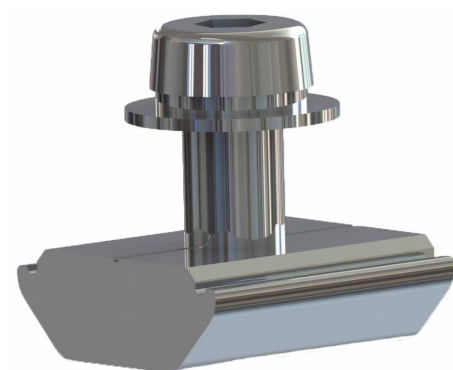


ATL-DR-Nut

ATL-G-EC

Product CODE	ATL-DR-Nut
Product Name	Antai Compatible Bolt and Nut Kit
MATERIAL	AL6005-T6 & SS304 Bolt
SURFACE TREATMENT	ANODIZING 10um
Package	1000pcs/carton, 530*330*330mm
Weight	0.02KG/PC
Contents	1x M8 bolt (25mm) with T nut

Product CODE	ATL-G-EC
Product Name	Antai Earthing Clip
MATERIAL	SS304
SURFACE TREATMENT	Stainless Steel
Package	4500pcs/carton, 530*330*330mm
Weight	0.01KG/PC

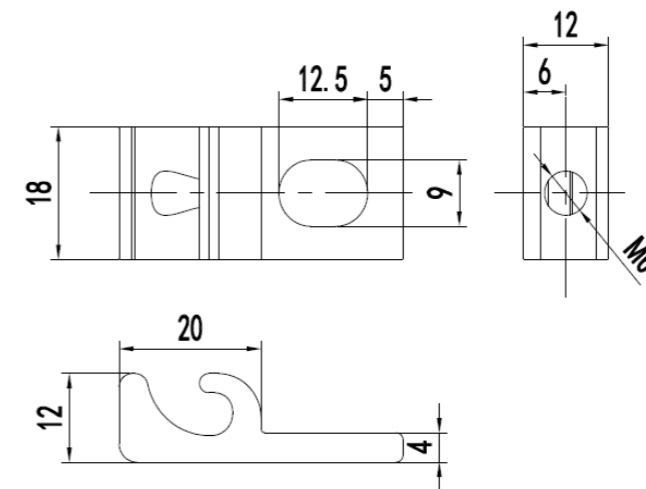
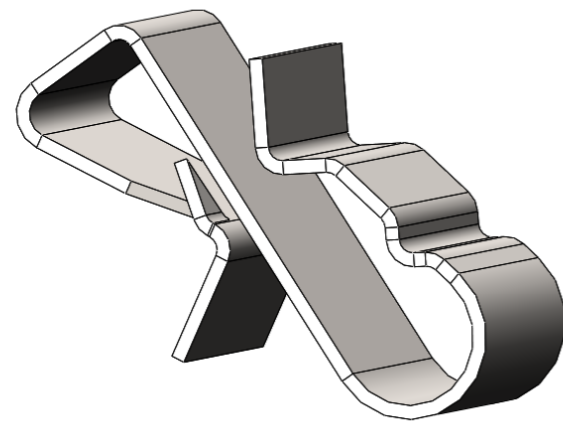


ATL-CT-2

ATL-G-GL

Product CODE	ATL-CT-2
Product Name	Antai Cable Clip
MATERIAL	SS304
SURFACE TREATMENT	Stainless Steel
Package	5000pcs/carton, 530*330*330mm
Weight	0.01KG/PC
Application	1-2pcs Cables, Cable DIA 5.0-6.5mm

Product CODE	ATL-G-GL
Product Name	Antai Grounding Lug
MATERIAL	Copper Lug& AL6005-T6 & SS304 Bolt
SURFACE TREATMENT	ANODIZING 10um
Package	800pcs/carton, 530*330*330mm
Weight	0.06KG/PC
Contents	1x M8 bolt (25mm) with T nut, 1x M8 bolt (16mm)



ATL-Tin-G2-1500-30/35-B

ATL-Tin-G2-2000-30/35-B

Product CODE	ATL-Tin-G2-1500-30/35-B
Product Name	BLACK Antai 6 Panels Tin Kit 30/35mm
MATERIAL	AL6005-T6 & SS304 Bolt
SURFACE TREATMENT	ANODIZING 10um
Package	1 set/ inner carton, 260*195*160mm 4 sets/master carton, 540*205*340mm
Weight	2.9KGS/Inner carton, 11.6KGS/Master carton
Contents	ATL-IC-30/35-B (BLACK Antai Mid Clamp 30/35mm) x 10pcs ATL-EC-30/35-B (BLACK Antai End Clamp 30/35mm)x 4pcs ATL-G-EC(Antai Earthing Clip)x 10pcs ATL-DR-JOINER(Antai T Universal Rail Splice) x2pcs ATL-IK-TIN(Antai Tin Roof Brackets)x 12pcs ATL-G-GL(Antai Grounding Lug)x2pcs
Tin 30/35 6 Panels Kit	

Product CODE	ATL-Tin-G2-2000-30/35-B
Product Name	BLACK Antai 8 Panels Tin Kit 30/35mm
MATERIAL	AL6005-T6 & SS304 Bolt
SURFACE TREATMENT	ANODIZING 10um
Package	1 set/ inner carton, 260*195*195mm 4 sets/master carton, 540*205*215mm
Weight	3.9KGS/Inner carton, 15.6KGS/Master carton
Contents	ATL-IC-30/35-B(BLACK Antai Mid Clamp 30/35mm) x 14pcs ATL-EC-30/35-B(BLACK Antai End Clamp 30/35mm)x 8pcs ATL-G-EC(Antai Earthing Clip)x 14pcs ATL-DR-JOINER(Antai T Universal Rail Splice) x2pcs ATL-IK-TIN(Antai Tin Roof Brackets)x 16pcs ATL-G-GL(Antai Grounding Lug)x2pcs
Tin30/35 8 Panels Kit	

ATL-Tile-G2-1500-30/35-B

ATL-Tile-G2-2000-30/35-B

Product CODE	ATL-Tile-G2-1500-30/35-BB
Product Name	BLACK Antai 6 Panels Tile Kit 30/35mm
MATERIAL	AL6005-T6 & SS304 Bolt
SURFACE TREATMENT	ANODIZING 10um
Package	1 set/ inner carton, 260*195*160mm 4 sets/master carton, 540*205*340mm
Weight	8.4KGS/Inner carton, 33.6KGS/Master carton
Contents	ATL-IC-30/35-B (BLACK Antai Mid Clamp 30/35mm) x 10pcs ATL-EC-30/35-B (BLACK Antai End Clamp 30/35mm)x 4pcs ATL-G-EC(Antai Earthing Clip)x 10pcs ATL-DR-JOINER(Antai T Universal Rail Splice) x2pcs ATL-IK-TILE(Antai Tile Roof Brackets)x 12pcs ATL-G-GL(Antai Grounding Lug)x2pcs
Tile30/35 6 Panels Kit	x 12 x 10 x 10 x 4 x 2 x 2

Product CODE	ATL-Tile-G2-2000-30/35-B
Product Name	BLACK Antai 8 Panels Tile Kit 30/35mm
MATERIAL	AL6005-T6 & SS304 Bolt
SURFACE TREATMENT	ANODIZING 10um
Package	1 set/ inner carton, 260*195*195mm 2 sets/master carton, 540*205*215mm
Weight	11.3KGS/Inner carton, 22.6KGS/Master carton
Contents	ATL-IC-30/35-B(BLACK Antai Mid Clamp 30/35mm) x 14pcs ATL-EC-30/35-B(BLACK Antai End Clamp 30/35mm)x 8pcs ATL-G-EC(Antai Earthing Clip)x 14pcs ATL-DR-JOINER(Antai T Universal Rail Splice) x2pcs ATL-IK-TILE(Antai Tile Roof Brackets)x 16pcs ATL-G-GL(Antai Grounding Lug)x2pcs
Tile30/35 8 Panels Kit	x 16 x 14 x 14 x 8 x 2 x 2

ATL-UK-Universal Kliplok-406/700

ATL-SPF-UNIVERSAL-KL CLAMP-406/700

Product CODE	ATL-UK-Universal Kliplok-406/700
Product Name	Antai Universal Kliplok 406/700 Clamp with Big Top
MATERIAL	AL6005-T6 & SS304 Bolt
SURFACE TREATMENT	ANODIZING 10um
Package	60pcs/carton, 530*330*330mm
Weight	0.3KG/PC
Contents	2pcs M8x15 bolt on the top

Product CODE	ATL-SPF-Universal -KL Clamp-406/700
Product Name	Antai Universal Kliplok 406/700 Clamp with Small Top
MATERIAL	AL6005-T6 & SS304 Bolt
SURFACE TREATMENT	ANODIZING 10um
Package	200pcs/carton, 530*330*330mm
Weight	0.015KG/PC
Contents	One M8x25 Bolt on the top

